

Fax completed order form to (414) 892-4150. L&R USA INC. will fax a quote confirming your order and cost. Questions? Call Custom Design Center at (414) 892-5158.

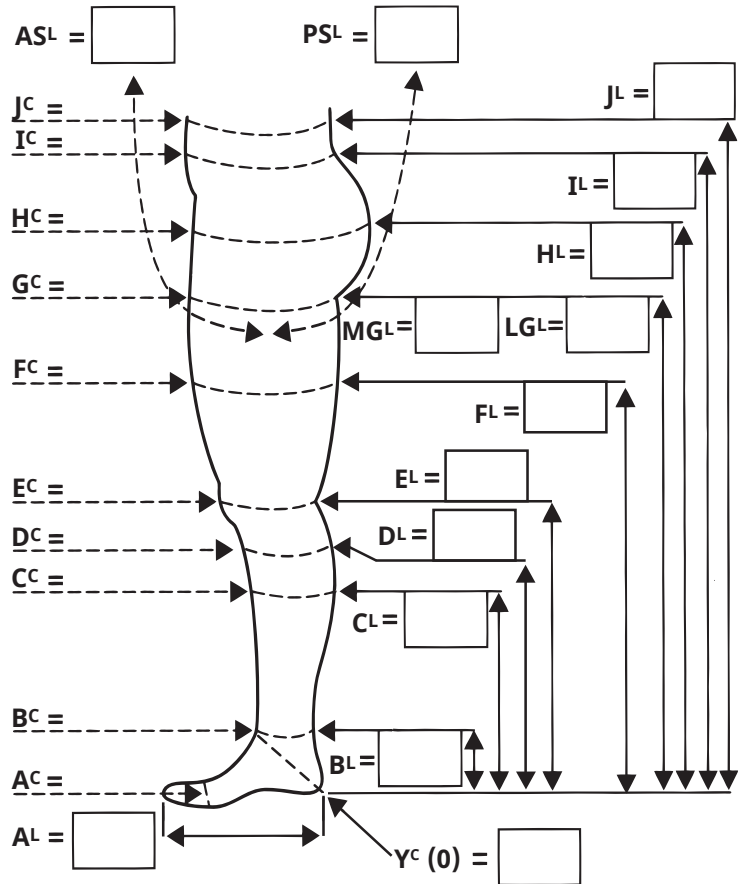
TributeNight™ Leg Order Form

Please Measure in Centimeters

C = Circumference

L = Length

SHIP TO:
Attn:
Street:
City:
State: Zip:
Telephone:
Fax:
E-Mail for Shipping Notification:
BILL TO:
Attn:
Street:
City:
State: Zip:
Telephone:
Fax:
Account # _____
<input type="checkbox"/> PO # _____
<input type="checkbox"/> CC # _____ Exp ___ / ___
If we have a question, whom should we contact?
Contact Phone #:
Client Name or Order Reference #:
DX <input type="checkbox"/> 457.1 <input type="checkbox"/> 457.0 <input type="checkbox"/> Other _____
Age _____ Height _____ Weight _____
For L&R Internal Usage:



<input type="checkbox"/> SUPINE <input type="checkbox"/> STANDING <input type="checkbox"/> LEFT <input type="checkbox"/> RIGHT			
QTY	UNIT		PRICE
	Garment Code: LE-	<input type="checkbox"/> Vertical <input type="checkbox"/> Chevron	
	Outer Jacket	Fastener: <input type="checkbox"/> Snap <input type="checkbox"/> Velcro	
	Variable Compression Jacket		
	Zipper		
	Velcro	<input type="checkbox"/> MO-AP <input type="checkbox"/> MO-VC	
	Non-skid Pads	<input type="checkbox"/> TributeNight <input type="checkbox"/> OJ	
	Pull Up Loops		
	Easy Slide Application Aid		
	Priority Production Fee (\$40)		
	TributeNight:		
	Fabric Color	<input type="checkbox"/> Black <input type="checkbox"/> Blue <input type="checkbox"/> Maroon <input type="checkbox"/> Pink <input type="checkbox"/> Teal	
	Outer Jacket:	<input type="checkbox"/> Black <input type="checkbox"/> Blue <input type="checkbox"/> Maroon <input type="checkbox"/> Pink <input type="checkbox"/> Teal	
	Shipping	<input type="checkbox"/> Bus. GRD <input type="checkbox"/> Res. GRD <input type="checkbox"/> 2nd Day <input type="checkbox"/> Overnight	
TOTAL:			

Comments: _____

